

Custom Design Template

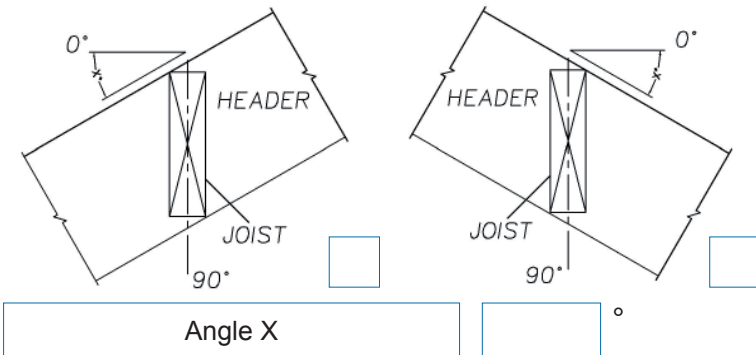
Name	
Company	
Address 1	
Address 2	
Postal code	
Province	

Telephone	
Fax	
E-mail	
Date	

Hanger width requirement	<input type="text"/>	inches	<input type="text"/>	mm
Hanger depth requirement	<input type="text"/>	inches	<input type="text"/>	mm
Loads factored or unfactored	<input type="text"/>	lbs	<input type="text"/>	kN
	<input type="text"/>	lbs	<input type="text"/>	kN
Factored uplift	<input type="text"/>	lbs	<input type="text"/>	kN
Vertical web width	<input type="text"/>	inches	<input type="text"/>	mm
Vertical web thickness	<input type="text"/>	inches	<input type="text"/>	mm
Bottom chord depth	<input type="text"/>	inches	<input type="text"/>	mm
Bottom chord thickness	<input type="text"/>	inches	<input type="text"/>	mm
Number of plies	<input type="text"/>			

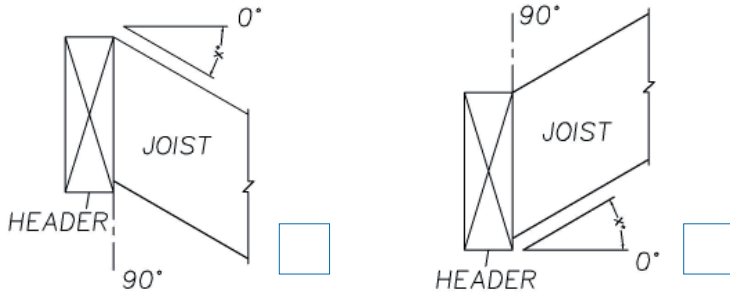


Figure 1 - If required, specify angle X and the direction of the inclined member:



Custom Design Template

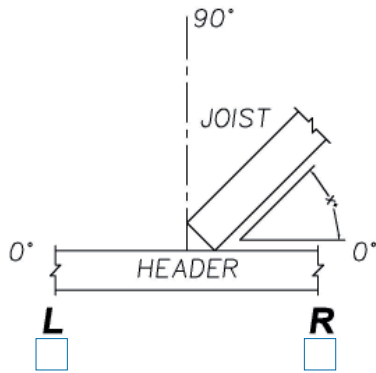
Figure 2 - If required, specify slope angle (X) and the direction of the slope:



Angle X °

Both members are flush at bottom or at top

Figure 3 - If required, specify skewed angle (X) and the orientation (left or right):



Angle X °

Beam material LSL Glulam Lumber SPF
 LVL I-Joist Lumber DF

Date hangers are required on site

Quantity of hangers required

Comments

**Fill in the template and fax to (519) 751-2329
 or
 go online to our Product Information section at cullen-bp.ca**