

Joist & Beam Connections

LUI - Light Universal I-Joist Hanger



The Cullen LUI hanger is a light duty I-Joist connector based on the UI hanger and is the ideal connector for small fill in I-Joist spans. It transfers loads without the need for either web stiffeners or **backer blocks** and is extremely quick and simple to install.

The LUI has full height side flanges and a bearing length of 2". The product code is stamped on the hanger for simple identification.

ADVANTAGES

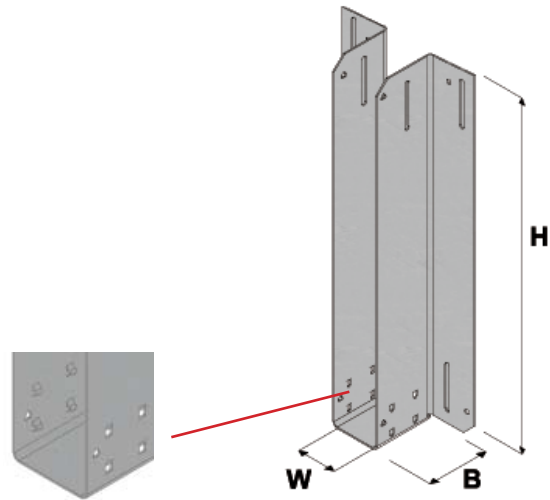
- No web stiffeners or **backer blocks** required
- Barbs locate the joist securely in the hanger
- Only one size of nail required

MATERIAL

- 18 ga. (0.051") galvanized mild steel - G90

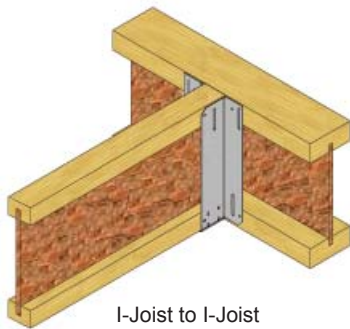
FASTENER TYPE

- 10dx1½" nail



The barbs locate the joist securely in the hanger

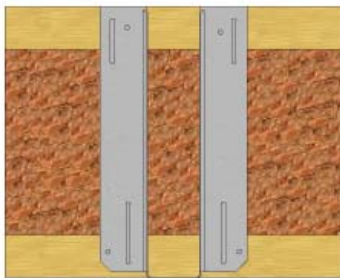
Backer free I-Joist Hanger



I-Joist to I-Joist

Installation

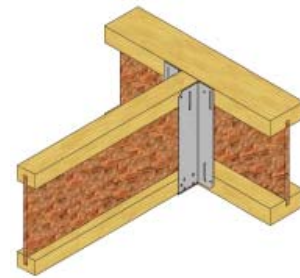
Stage 1



Position LUI against face of I-Joist.

Fix to I-Joist using 6 nails.

Stage 2



Place incoming member into LUI.

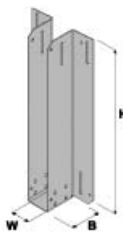
Fix using 2 nails into joist.

Joist & Beam Connections

LUI - Light Universal I-Joist Hanger

LUI - Single/Double Joists - EWP

I-Joist Size	Product Code	Ga	Hanger Dimensions			Fasteners - 10dx1½"		Factored Resistance									
			W	H	B	Face	Joist	Uplift (Kd = 1.15)		SPF- I-Joist		LVL		PSL		LSL	
								kN	lbs	kN	lbs	kN	lbs	kN	lbs	kN	lbs
1½ x 9½	LUI1.5/9.5	18	1⅞	9½	2	6	2	1.1	247	4	899	5.25	1180	5.25	1180	5.25	1180
1½ x 11½	LUI1.5/11.88	18	1⅞	11½	2	6	2	1.1	247	4	899	5.25	1180	5.25	1180	5.25	1180
1¾ x 9½	LUI1.75/9.5	18	1⅞	9½	2	6	2	1.1	247	4	899	5.25	1180	5.25	1180	5.25	1180
1¾ x 11½	LUI1.75/11.88	18	1⅞	11½	2	6	2	1.1	247	4	899	5.25	1180	5.25	1180	5.25	1180
2⅞ x 9½	LUI2.06/9.5	18	2⅞	9½	2	6	2	1.1	247	4	899	5.25	1180	5.25	1180	5.25	1180
2⅞ x 11½	LUI2.06/11.88	18	2⅞	11½	2	6	2	1.1	247	4	899	5.25	1180	5.25	1180	5.25	1180
2⅞ x 9½	LUI2.31/9.5	18	2⅞	9½	2	6	2	1.1	247	4	899	5.25	1180	5.25	1180	5.25	1180
2⅞ x 11½	LUI2.31/11.88	18	2⅞	11½	2	6	2	1.1	247	4	899	5.25	1180	5.25	1180	5.25	1180
2½ x 9½	LUI2.5/9.5	18	2½	9½	2	6	2	1.1	247	4	899	5.25	1180	5.25	1180	5.25	1180
2½ x 11½	LUI2.5/11.88	18	2½	11½	2	6	2	1.1	247	4	899	5.25	1180	5.25	1180	5.25	1180
3 x 9½	LUI3/9.5	18	3⅞	9½	2	6	2	1.1	247	4	899	5.25	1180	5.25	1180	5.25	1180
3 x 11½	LUI3/11.88	18	3⅞	11½	2	6	2	1.1	247	4	899	5.25	1180	5.25	1180	5.25	1180
3½ x 9½	LUI3.5/9.5	18	3⅞	9½	2	6	2	1.1	247	4	899	5.25	1180	5.25	1180	5.25	1180
3½ x 11½	LUI3.5/11.88	18	3⅞	11½	2	6	2	1.1	247	4	899	5.25	1180	5.25	1180	5.25	1180



To order the LUI

W dimension – Joist width e.g. 2½"

H dimension – Joist height e.g. 9½"

Example - Hanger required – LUI2.5/9.5