

Joist & Beam Connections

FFI - Face Mount Hanger

CCMC Evaluation Report
No. 13281-R

The FFI is a multi-purpose utility connector for any joist to joist or joist to girder application.

The FFI has full height side flanges and is designed to transfer its safe working load capacity without the need for web stiffeners. The product code is stamped on the hanger for simple identification.

ADVANTAGES

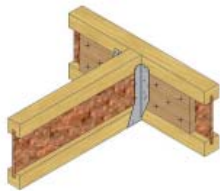
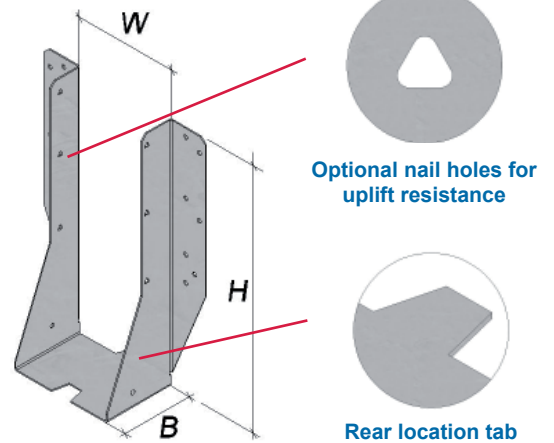
- No web stiffeners required
- Rear location tab to ease installation
- Only one size of nail required

MATERIAL

- 18 ga. (0.051") galvanized mild steel - G90

FASTENER TYPE

- 10dx1½" nail



I-Joist to I-Joist



I-Joist to LSL/PSL/LVL or Glulam



LSL/PSL/LVL or Glulam beams connections

Installation

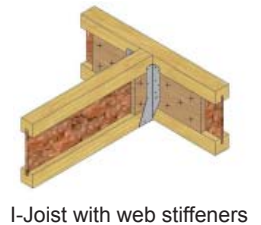
Stage 1	Stage 2	Stage 3
<p>Ensure backer blocks are installed tightly to the bottom flange.</p>	<p>Fix FFI to the face of the supporting joist. <i>Number of nails vary with hanger height, please refer to the tables on pages 22 & 23.</i></p>	<p>The incoming member is then placed into position. The bottom 2 nails in the side flange must be nailed.</p>

ENHANCED UPLIFT RESISTANCE

Enhanced uplift resistance can be achieved by using additional triangular nail holes in the side flanges.

Where the incoming member is an I-Joist, fix web stiffeners in accordance with I-Joist manufacturer's technical guidelines.

ENHANCED UPLIFT RESISTANCE		
Number of side nails 10dx1½"	Uplift (Short-term) (Kd = 1.15)	
	kN	lbs
4	2.54	571
6	3.8	854
8	5.0	1124



I-Joist with web stiffeners

FFI - Single Joists - Solid Sawn Joists

Joist Size	Product Code	Ga	Hanger Dimensions			Fasteners - 10dx1½"		Factored Resistance					
			W	H	B	Header	Joist	Uplift (Kd = 1.15)		SPF		DF	
								kN	lbs	kN	lbs	kN	lbs
1½ x 9¼	FFI1.5/9	18	1⅞	9⅞	2⅞	14	2	1.27	285	6.11	1374	12.23	2749
1½ x 11¼	FFI1.5/11	18	1⅞	11	2⅞	18	2	1.27	285	7.03	1580	12.38	2783
3 x 9¼	FFI3/9	18	3⅞	9⅞	2⅞	14	2	1.27	285	6.11	1374	12.23	2749
3 x 11¼	FFI3/11	18	3⅞	11	2⅞	18	2	1.27	285	7.03	1580	12.38	2783

Joist & Beam Connections

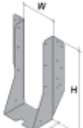
FFI - Face Mount Hanger

FFI - Single Joists - EWP

I-Joist/Beam Size	Product Code	Ga	Hanger Dimensions			Fasteners - 10dx1½"		Factored Resistance									
			W	H	B	Header	Joist	Uplift (Kd = 1.15)		SPF- I-Joist		LVL		PSL		LSL	
								kN	lbs	kN	lbs	kN	lbs	kN	lbs	kN	lbs
1½ x 9½	FFI1.5/9.5	18	1⅞	9¼	2⅞	14	2	1.27	285	11.12	2500	14.48	3255	14.48	3255	11.24	2527
1½ x 11½	FFI1.5/11.88	18	1⅞	11½	2⅞	18	2	1.27	285	12.25	2754	15.87	3568	15.87	3568	12.25	2754
1¾ x 9½	FFI1.75/9.5	18	1⅞	9¼	2⅞	14	2	1.27	285	11.12	2500	14.48	3255	14.48	3255	11.24	2527
1¾ x 11½	FFI1.75/11.88	18	1⅞	11½	2⅞	18	2	1.27	285	12.25	2754	15.87	3568	15.87	3568	12.25	2754
1¾ x 14	FFI1.75/14	18	1⅞	13⅞	3⅞	26	2	1.27	285	15.47	3478	17.11	3846	17.11	3846	14.64	3291
1¾ x 16	FFI1.75/16	18	1⅞	15⅞	3⅞	30	2	1.27	285	12.47	2803	17.11	3846	17.11	3846	14.64	3291
2⅞ x 9½	FFI2.06/9.5	18	2⅞	9¼	2⅞	14	2	1.27	285	11.12	2500	14.48	3255	14.48	3255	11.24	2527
2⅞ x 11½	FFI2.06/11.88	18	2⅞	11½	2⅞	18	2	1.27	285	12.25	2754	15.87	3568	15.87	3568	12.25	2754
2⅞ x 14	FFI2.06/14	18	2⅞	13⅞	3⅞	14	2	1.27	285	15.47	3478	17.11	3846	17.11	3846	14.64	3291
2⅞ x 16	FFI2.06/16	18	2⅞	15⅞	3⅞	18	2	1.27	285	12.47	2803	17.11	3846	17.11	3846	14.64	3291
2⅞ x 9½	FFI2.31/9.5	18	2⅞	9¼	2⅞	26	2	1.27	285	11.12	2500	14.48	3255	14.48	3255	11.24	2527
2⅞ x 11½	FFI2.31/11.88	18	2⅞	11½	2⅞	30	2	1.27	285	12.25	2754	15.87	3568	15.87	3568	12.25	2754
2⅞ x 14	FFI2.31/14	18	2⅞	13⅞	3⅞	14	2	1.27	285	15.47	3478	17.11	3846	17.11	3846	14.64	3291
2⅞ x 16	FFI2.31/16	18	2⅞	15⅞	3⅞	18	2	1.27	285	12.47	2803	17.11	3846	17.11	3846	14.64	3291
2½ x 9½	FFI2.5/9.5	18	2⅞	9¼	2⅞	14	2	1.27	285	11.12	2500	14.48	3255	14.48	3255	11.24	2527
2½ x 11½	FFI2.5/11.88	18	2⅞	11½	2⅞	18	2	1.27	285	12.25	2754	15.87	3568	15.87	3568	12.25	2754
2½ x 14	FFI2.5/14	18	2⅞	13⅞	3⅞	26	2	1.27	285	15.47	3478	17.11	3846	17.11	3846	14.64	3291
2½ x 16	FFI2.5/16	18	2⅞	15⅞	3⅞	30	2	1.27	285	12.47	2803	17.11	3846	17.11	3846	14.64	3291
3 x 9½	FFI3/9.5	18	3⅞	9¼	2⅞	14	2	1.27	285	11.12	2500	14.48	3255	14.48	3255	11.24	2527
3 x 11½	FFI3/11.88	18	3⅞	11½	2⅞	18	2	1.27	285	12.25	2754	15.87	3568	15.87	3568	12.25	2754
3 x 9½	FFI3.5/9.5	18	3⅞	9¼	2⅞	14	2	1.27	285	11.12	2500	14.48	3255	14.48	3255	11.24	2527
3 x 11½	FFI3.5/11.88	18	3⅞	11½	2⅞	18	2	1.27	285	12.25	2754	15.87	3568	15.87	3568	12.25	2754
3½ x 14	FFI3.5/14	18	3⅞	13⅞	3⅞	26	2	1.27	285	15.47	3478	17.11	3846	17.11	3846	14.64	3291
3½ x 16	FFI3.5/16	18	3⅞	15⅞	3⅞	30	2	1.27	285	12.47	2803	17.11	3846	17.11	3846	14.64	3291

FFI - Double Joists - EWP

I-Joist/Beam Size	Product Code	Ga	Hanger Dimensions			Fasteners 10dx1½"		Factored Resistance									
			W	H	B	Header	Joist	Uplift (Kd = 1.15)		SPF- I-Joist		LVL		PSL		LSL	
								kN	lbs	kN	lbs	kN	lbs	kN	lbs	kN	lbs
3 x 9½	FFI3/9.5	18	3⅞	9¼	2⅞	14	2	1.27	285	11.12	2500	14.48	3255	14.48	3255	11.24	2527
3 x 11½	FFI3/11.88	18	3⅞	11½	2⅞	18	2	1.27	285	12.25	2754	15.87	3568	15.87	3568	12.25	2754
3½ x 9½	FFI3.5/9.5	18	3⅞	9¼	2⅞	14	2	1.27	285	11.12	2500	14.48	3255	14.48	3255	11.24	2527
3½ x 11½	FFI3.5/11.88	18	3⅞	11½	2⅞	18	2	1.27	285	12.25	2754	15.87	3568	15.87	3568	12.25	2754
3½ x 14	FFI3.5/14	18	3⅞	13⅞	3⅞	26	2	1.27	285	15.47	3478	17.11	3846	17.11	3846	14.64	3291
3½ x 16	FFI3.5/16	18	3⅞	15⅞	3⅞	30	2	1.27	285	12.47	2803	17.11	3846	17.11	3846	14.64	3291
4 x 9½	FFI4.12/9.5	18	4⅞	9¼	2⅞	14	2	1.27	285	11.12	2500	14.48	3255	14.48	3255	11.24	2527
4 x 11½	FFI4.12/11.88	18	4⅞	11½	2⅞	18	2	1.27	285	12.25	2754	15.87	3568	15.87	3568	12.25	2754
4 x 14	FFI4.12/14	18	4⅞	13⅞	3⅞	26	2	1.27	285	15.47	3478	17.11	3846	17.11	3846	14.64	3291
4 x 16	FFI4.12/16	18	4⅞	15⅞	3⅞	30	2	1.27	285	12.47	2803	17.11	3846	17.11	3846	14.64	3291
4 x 9½	FFI4.62/9.5	18	4⅞	9¼	2⅞	14	2	1.27	285	11.12	2500	14.48	3255	14.48	3255	11.24	2527
4 x 11½	FFI4.62/11.88	18	4⅞	11½	2⅞	18	2	1.27	285	12.25	2754	15.87	3568	15.87	3568	12.25	2754
4 x 14	FFI4.62/14	18	4⅞	13⅞	3⅞	26	2	1.27	285	15.47	3478	17.11	3846	17.11	3846	14.64	3291
4 x 16	FFI4.62/16	18	4⅞	15⅞	3⅞	30	2	1.27	285	12.47	2803	17.11	3846	17.11	3846	14.64	3291
5 x 9½	FFI5/9.5	18	5⅞	9¼	2⅞	14	2	1.27	285	11.12	2500	14.48	3255	14.48	3255	11.24	2527
5 x 11½	FFI5/11.88	18	5⅞	11½	2⅞	18	2	1.27	285	12.25	2754	15.87	3568	15.87	3568	12.25	2754
5 x 14	FFI5/14	18	5⅞	13⅞	3⅞	26	2	1.27	285	15.47	3478	17.11	3846	17.11	3846	14.64	3291
5 x 16	FFI5/16	18	5⅞	15⅞	3⅞	30	2	1.27	285	12.47	2803	17.11	3846	17.11	3846	14.64	3291
5¼ x 9½	FFI5.25/9.5	18	5⅞	9¼	2⅞	14	2	1.27	285	11.12	2500	14.48	3255	14.48	3255	11.24	2527
5¼ x 11½	FFI5.25/11.88	18	5⅞	11½	2⅞	18	2	1.27	285	12.25	2754	15.87	3568	15.87	3568	12.25	2754
5¼ x 14	FFI5.25/14	18	5⅞	13⅞	3⅞	26	2	1.27	285	15.47	3478	17.11	3846	17.11	3846	14.64	3291
5¼ x 16	FFI5.25/16	18	5⅞	15⅞	3⅞	30	2	1.27	285	12.47	2803	17.11	3846	17.11	3846	14.64	3291
7 x 9½	FFI7/9.5	18	7⅞	9¼	2⅞	14	2	1.27	285	11.12	2500	14.48	3255	14.48	3255	11.24	2527
7 x 11½	FFI7/11.88	18	7⅞	11½	2⅞	18	2	1.27	285	12.25	2754	15.87	3568	15.87	3568	12.25	2754
7 x 14	FFI7/14	18	7⅞	13⅞	3⅞	26	2	1.27	285	15.47	3478	17.11	3846	17.11	3846	14.64	3291
7 x 16	FFI7/16	18	7⅞	15⅞	3⅞	30	2	1.27	285	12.47	2803	17.11	3846	17.11	3846	14.64	3291



To order the FFI
W dimension – Joist width e.g. 2½"
H dimension – Joist height e.g. 9½"
Example - Hanger required – FFI2.5/9.5